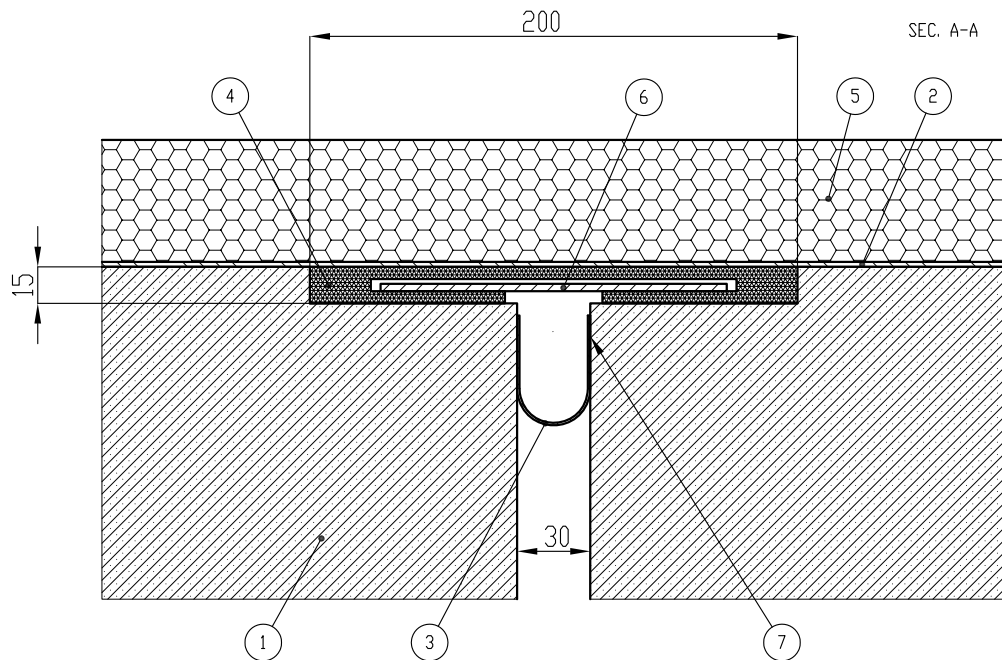


Buried expansion joint AGEJS 35
 MAXIMUM LONGITUDINAL DISPLACEMENT: ±17.5 mm
 MAXIMUM TRANSVERSAL DISPLACEMENT: ±10 mm
 WEIGHT: 6.1 kg/m



(A) = zinc coated

Pos.	Description	Material	Notes
7	Adhesive for waterproofing strip	Kimatech EP-TX	
6	Reinforcement steel plate	S235JR - EN10025	(A)
5	Paving	Asphalt	
4	Rubber	EPDM	
3	Waterproofing strip	NW fabric + rubber	
2	Waterproofing sheath	-	
1	Structure	Reinforced concrete	

Revision 00 Object FIRST ISSUE Date Last modified 13/03/2014

Drawn by D.Colombo Checked by D.Colombo Approved by M.Battaini



AGOM INTERNATIONAL Srl
 Via Mesero, 12
 20010 Ossona (MI)

Buried expansion joint AGEJS 35		Drawing number	Scale
		01446	1:2

The information contained in this drawing is the sole property of AGOM INTERNATIONAL Srl. Any reproduction in part or whole without permission is prohibited.