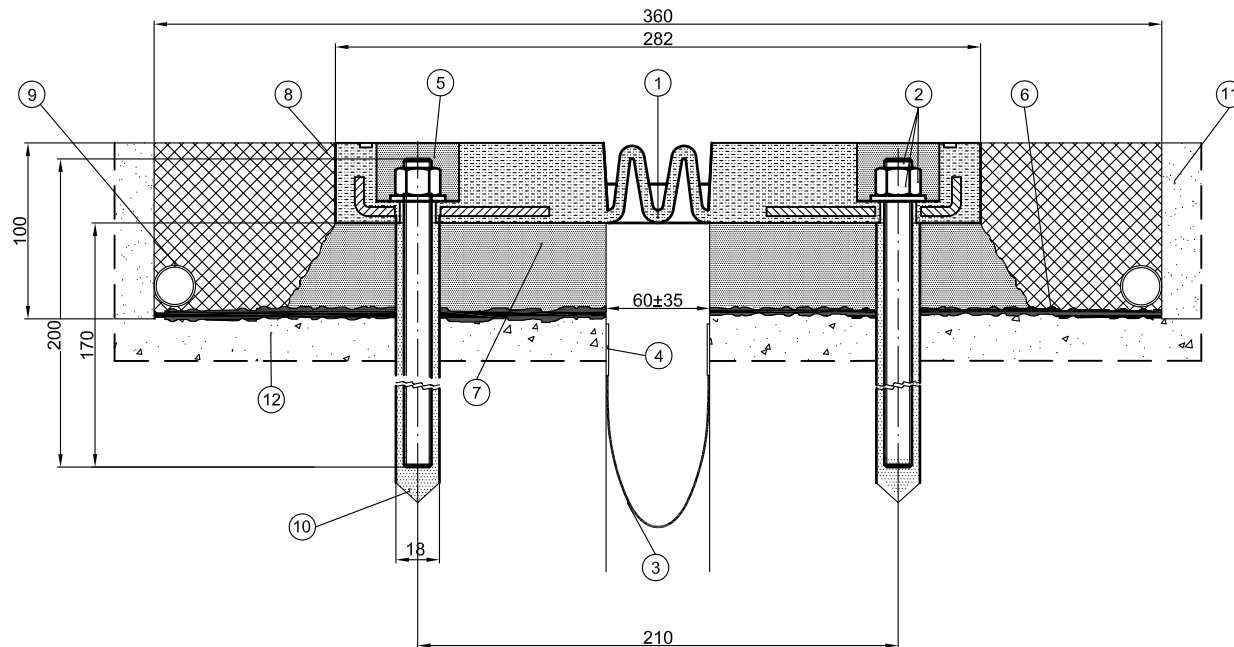


Type	LONGITUDINAL Movement [mm]	Weight [Kg/pcs]
AGWJ 70	±35	32

*On Request The Joint Could Be Produced According To Different Standard And Different Compound



12	Concrete	-	-	-
11	Asphalt	-	-	-
10	Anchor Bar Grouting	-	-	Kimitech EP-AR
9	Drain Pipe	-	-	PVC ø16 øe22 mm
8	Transition Strip	-	-	-
7	Bedding Mortar	-	-	-
6	Two-Component Epoxide Primer	-	-	OPTION
5	Bolt Hole Sealer	-	-	Tecnoseal 88
4	Thixotropic Epoxide Bonding System	-	-	Kimitech EP-TX
3	Waterproof Strip	-	-	K IB 160
2	Anchor Bars + Washers + Nuts	M 14	EN 20898	Cl. 8.8 Zinc Plated Steel
1	Expansion Joint	-	CNR 10018*	Rubber 60 ShA + Steel

POS.	DESCRIPTION	NOTE	STANDARD	MATERIAL
DATE	15/09/2011	OBJECT	MATERIALS	REVISION
				04
OBJECT				DRAWN NOT IN SCALE
AGWJ 70 JOINT				
"2T" INSTALLATION PROCEDURE				
DRAWN: DC CHECKED: MB APPROVED: RC				
AGOM INTERNATIONAL S. r. l. Via Mesero, 12 20010 Ossona (MI)				DWG N°
				00728/2T
COPYRIGHT RESERVED TO AGOM INTERNATIONAL SRL				