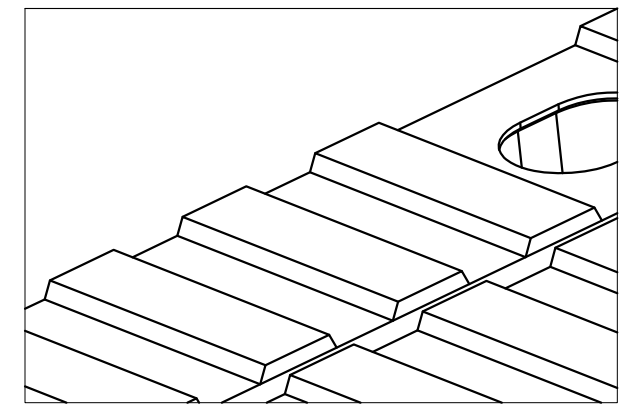
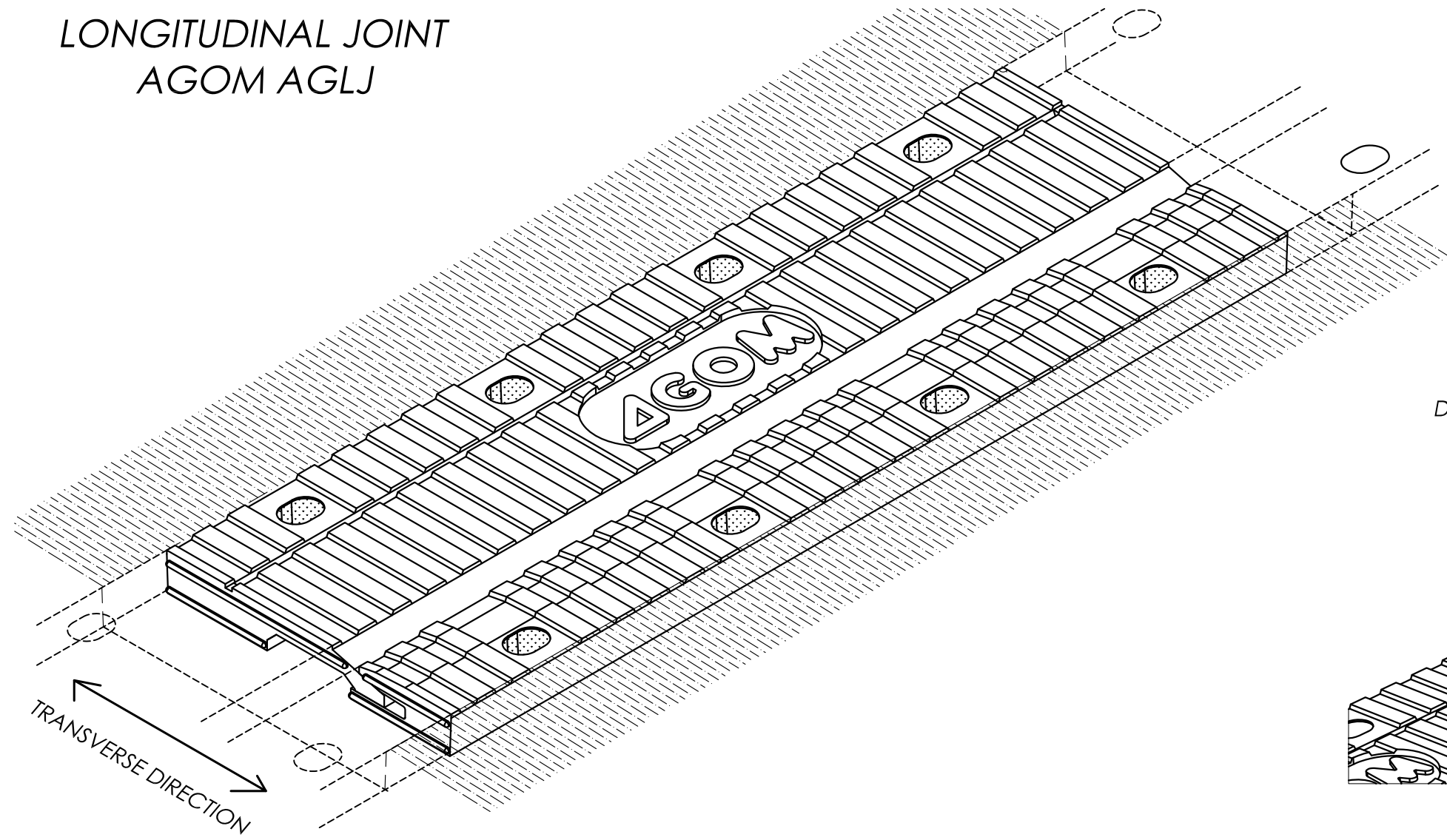
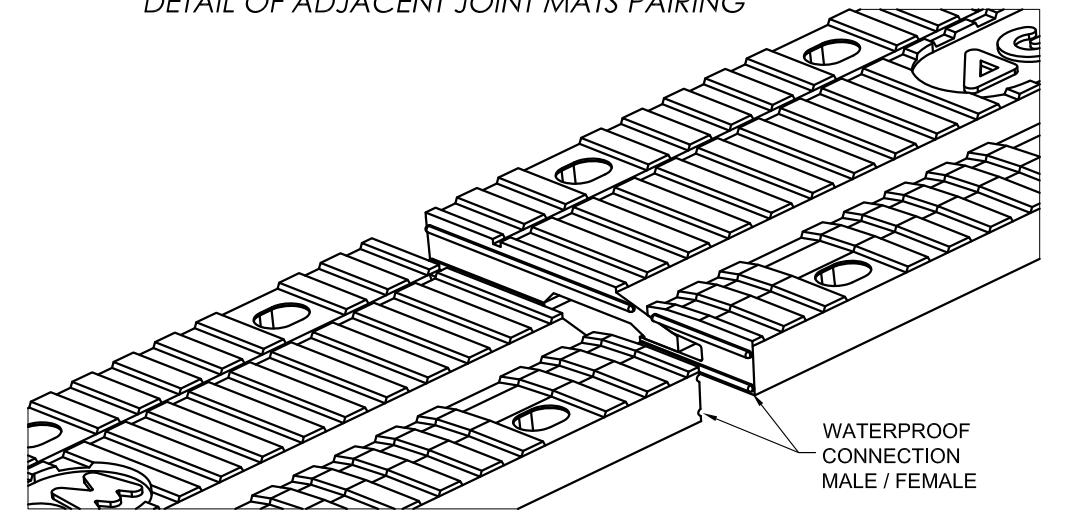


LONGITUDINAL JOINT AGOM AGLJ



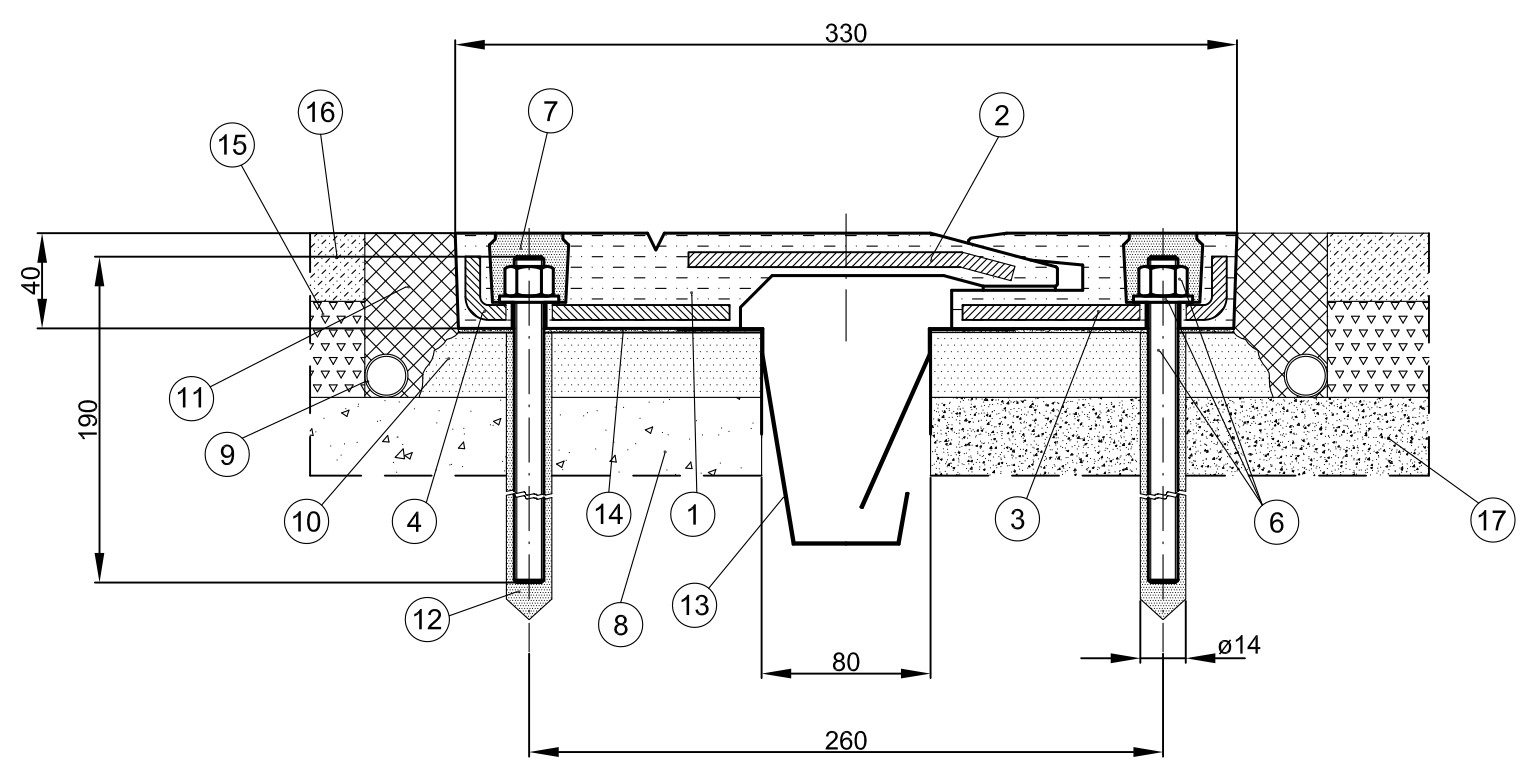
DETAIL OF SURFACE
FINISH TYPE "AGRIP":
GREATER FRICTION
REDUCED WEAR
MAINTENANCE FREE

DETAIL OF ADJACENT JOINT MATS PAIRING



WATERPROOF
CONNECTION
MALE / FEMALE

DETAIL OF INSTALLED JOINT



DESIGN MOVEMENT IN TRANSVERSE DIRECTION: ± 10 mm
DESIGN MOVEMENT IN LONGITUDINAL DIRECTION: - (unlimited)

*On request the joint could be produced according to different standard and different compound

16	Asphalt	-	-	-
15	Binder	-	-	-
14	Thixotropic Epoxide Bonding System	-	-	K KB EpoBond
13	Waterproof Strip	-	-	Stainless steel
12	Anchor Bar Grouting	-	-	K KB EpoPrimer
11	Transition strip	(on request)	-	K KB A
10	Bedding mortar	(on request)	-	K KB C
9	Drain Pipe	(on request)	-	PVC $\phi 16 \phi e 22$ mm
8	Deck	-	-	Concrete
7	Bolt Hole Sealer	-	-	K SB SPC
6	Anchor Bars + Washers + Nuts	-	EN 20898	Cl. 8.8 Zinc coated
4	Left plate	-	EN 10025	Steel S235JR
3	Right plate	-	EN 10025	Steel S235JR
2	Central plate	-	EN 10025	Steel S275JR
1	Elastomer	-	CNR 10018*	Rubber 60ShA
POS.	DESCRIPTION	NOTES	STANDARD	MATERIAL

DATE	26/05/2010	OBJECT	Surface profile	REVISION	03
<p>Longitudinal Joint AGLJ</p> <p>AGOM INTERNATIONAL S. r. l. Via Mesero, 12 20010 Ossona (MI)</p>				<p>NOT IN SCALE</p> <p>DRAWN: DC CHECKED: MB APPROVED: RC</p>	
<p>AGOM IDEAS, ENGINEERING AND MANUFACTURE</p>				<p>DWG N°</p> <p>699</p>	<p>COPYRIGHT RESERVED TO AGOM INTERNATIONAL SRL</p>