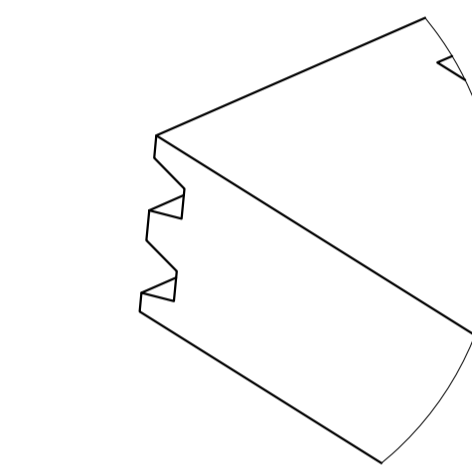
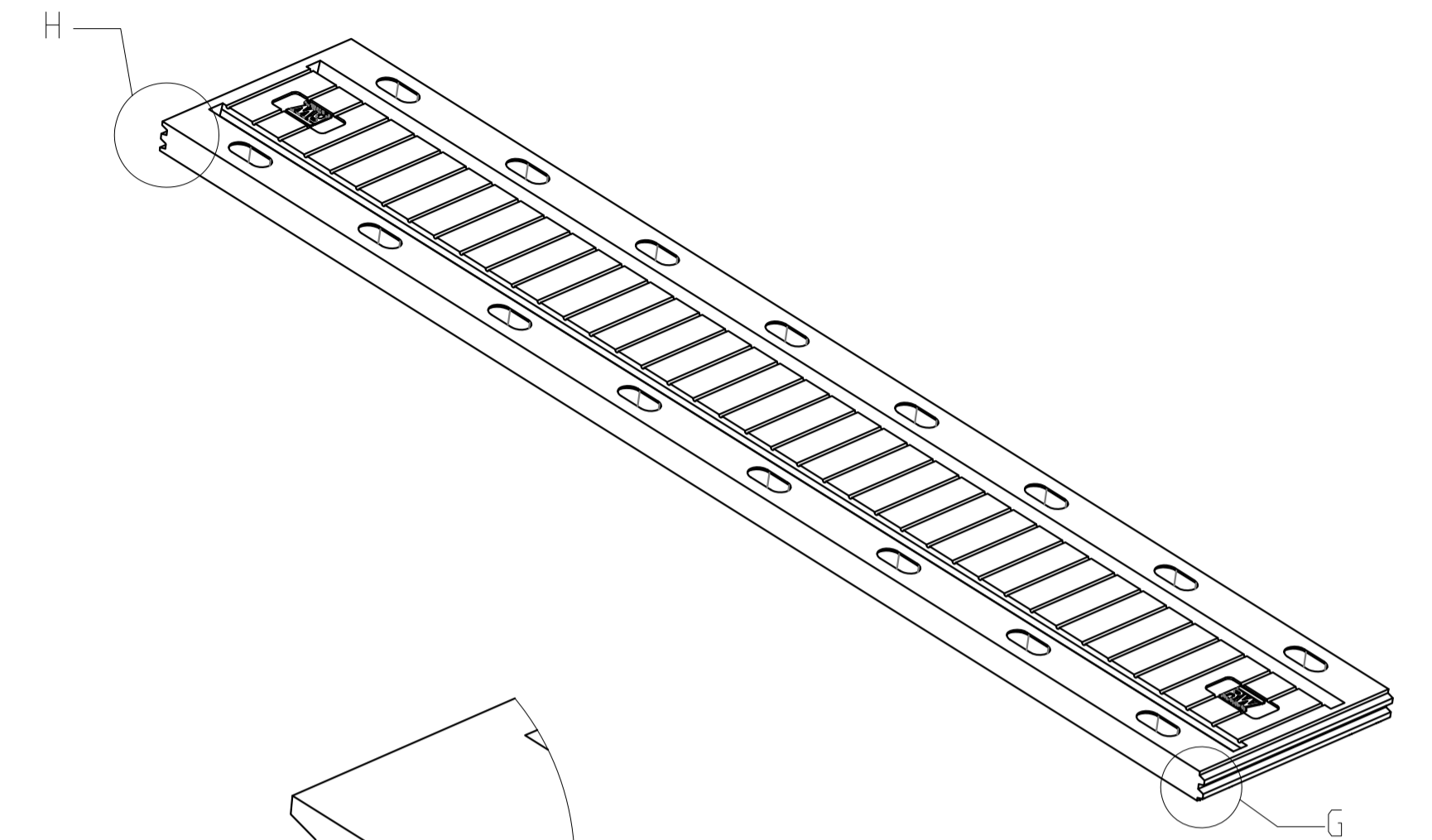
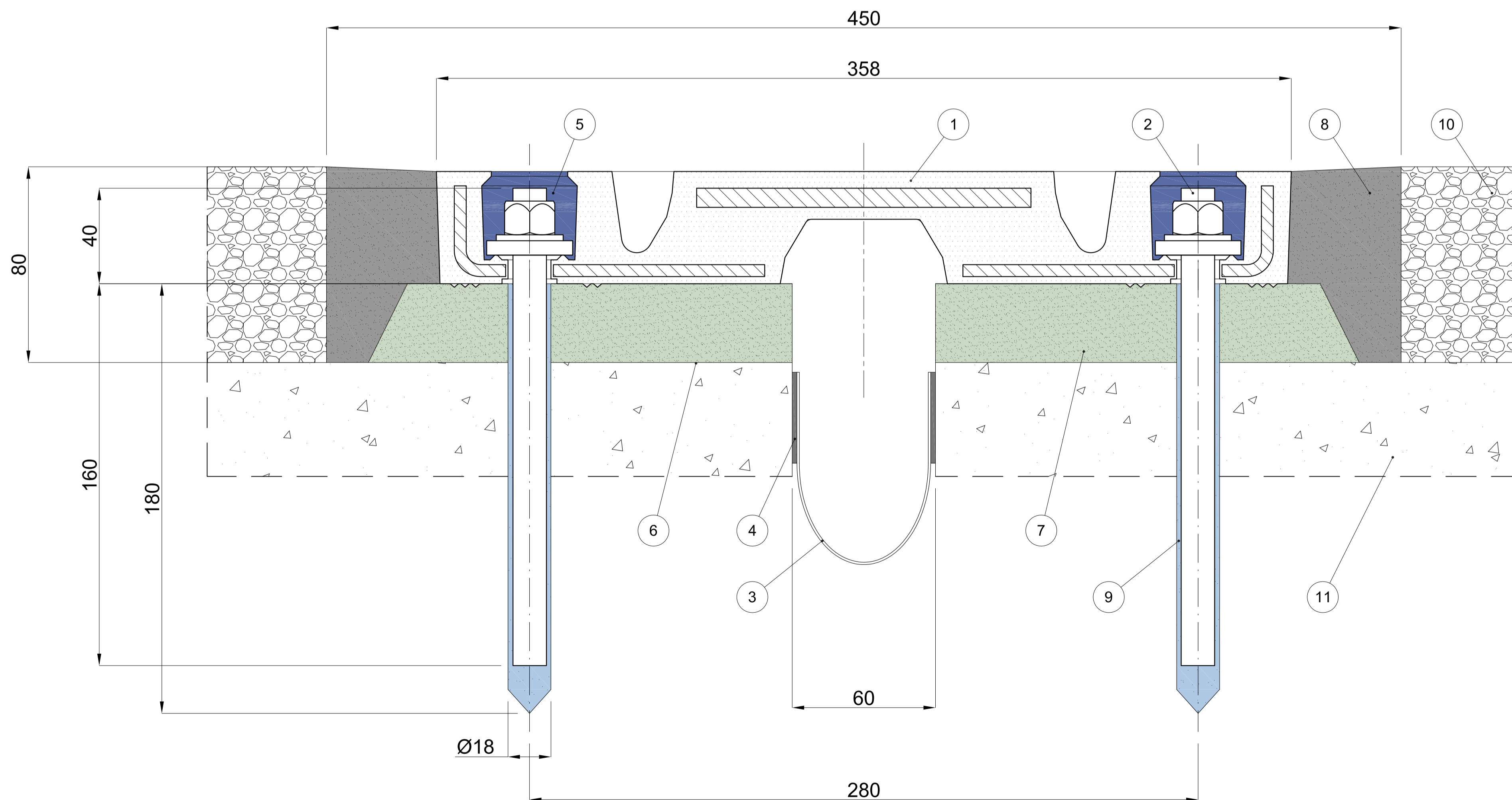
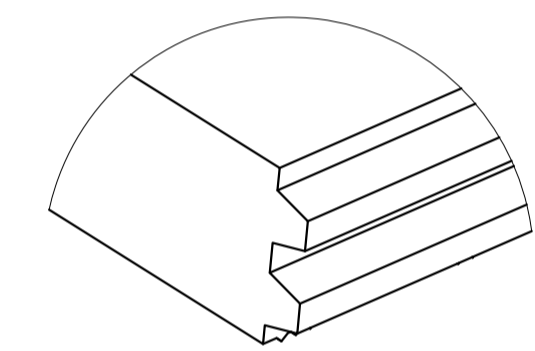


D-D  
ASSEMBLY DETAIL



DETAIL H



DETAIL G

Type	Design Movement [mm]	Weight [Kg]
AGFLEXJ 80	-40 / +40	70

(\*) not supplied, equivalent materials allowed  
 (\*\*) not supplied, to be used only if requested

POS.	DESCRIPTION	NOTE	STANDARD	MATERIAL
11	Concrete	-	-	-
10	Asphalt	-	-	-
9	Anchor Bar Grouting	-	-	Kimitech EP-AR
8	Transition Strip	(*)	-	BASF Wabocrete II
7	Bedding Mortar	(*)	-	BASF Masterflow 524
6	Two-Component Epoxide Primer	(**)	-	-
5	Bolt Hole Sealer	-	-	Tecnoseal 88
4	Thixotropic Epoxide Bonding System	-	-	Kimitech EP-TX
3	Waterproof Strip	-	-	NW fabric + Rubber
2	Anchor Bars + Washers + Nuts	M 14	EN 20898	Cl. 8.8 Zinc Plated Steel
1	Expansion Joint	-	CNR 10018	Rubber 60 ShA + Steel

DATE	27/09/2013	OBJECT	GENERAL	REVISION	08
OBJECT				DRAWN NOT IN SCALE	
ELASTOMERIC REINFORCED EXPANSION JOINT				DRAWN: GR	
AGFLEXJ 80				CHECKED: DC	
AGOM				APPROVED: MB	
AGOM INTERNATIONAL S. r. l.				DWG N°	
Via Mesero, 12				00379	
20010 Ossona (MI)				COPYRIGHT RESERVED TO AGOM INTERNATIONAL SRL	