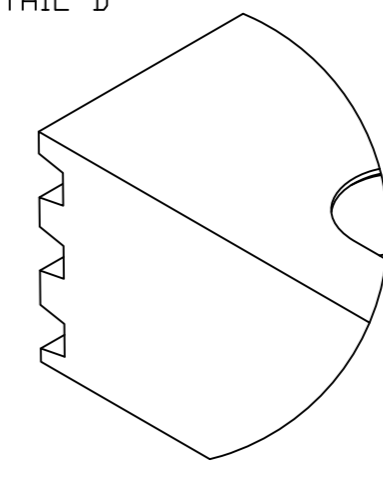
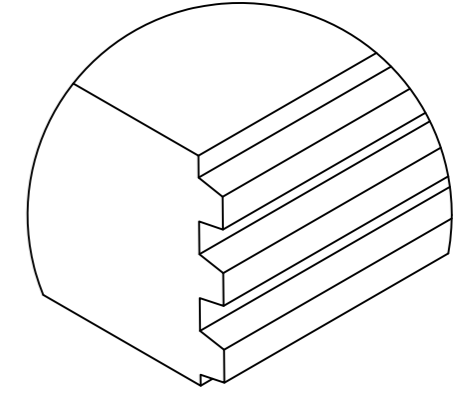


DETAIL D

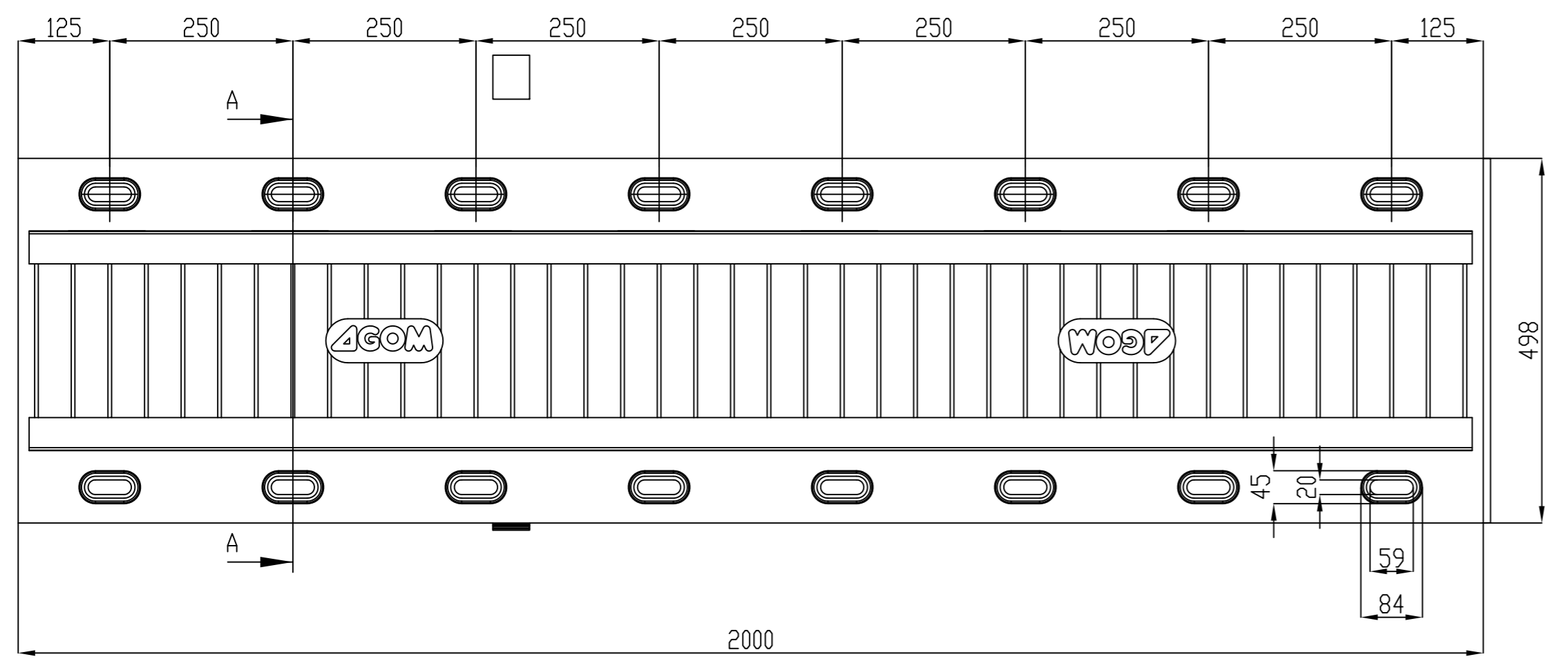


DETAIL F



Type	Longitudinal movement [mm]	Weight [Kg/pc]
AGFLEXJ 160	+80	177

\*On Request The Joint Could Be Produced According To Different Standard And Different Compound



Pos.	Description	Standard	Material
19	Concrete	-	-
18	Asphalt	-	-
17	Bolt hole sealer	-	Tecnoseal 88
16	Thixotropic expoxide bonding system	-	Kimitech EP-TX
15	Two-component epoxide primer	(not supplied)	-
14	Anchor bar grouting	-	Kimitech EP-AR
13	Waterproof strip	-	NW fabric + rubber
12	Draining pipe	(on request)	PVC Ø16 Øe22 mm
11	Transition strip	(not supplied)	Wabocrete II
10	Bedding mortar	(not supplied)	Masterflow 524
9	Threaded bar	EN 20898	gr. 8.8 zinc coated
8	Washer	EN 20898	gr. 8.8 zinc coated
7	Bigger washer	EN 20898	gr. 8.8 zinc coated
6	Nut	EN 20898	gr. 8.8 zinc coated
1	Reinforced rubber mat	CNR 10018*	Rubber 60 ShA + steel

Revision	05	Object	Installation materials	Date	24/03/2014
Drawn	A.Durante		Checked	D.Colombo	
			Approved	M.Battaini	

	AGOM INTERNATIONAL Srl Via Mesero, 12 20010 Ossona (MI)	Disegno N°	Scala
		00692/2T	1:10

The information contained in this drawing is the sole property of AGOM INTERNATIONAL Srl. Any reproduction in part or whole without permission is prohibited.