

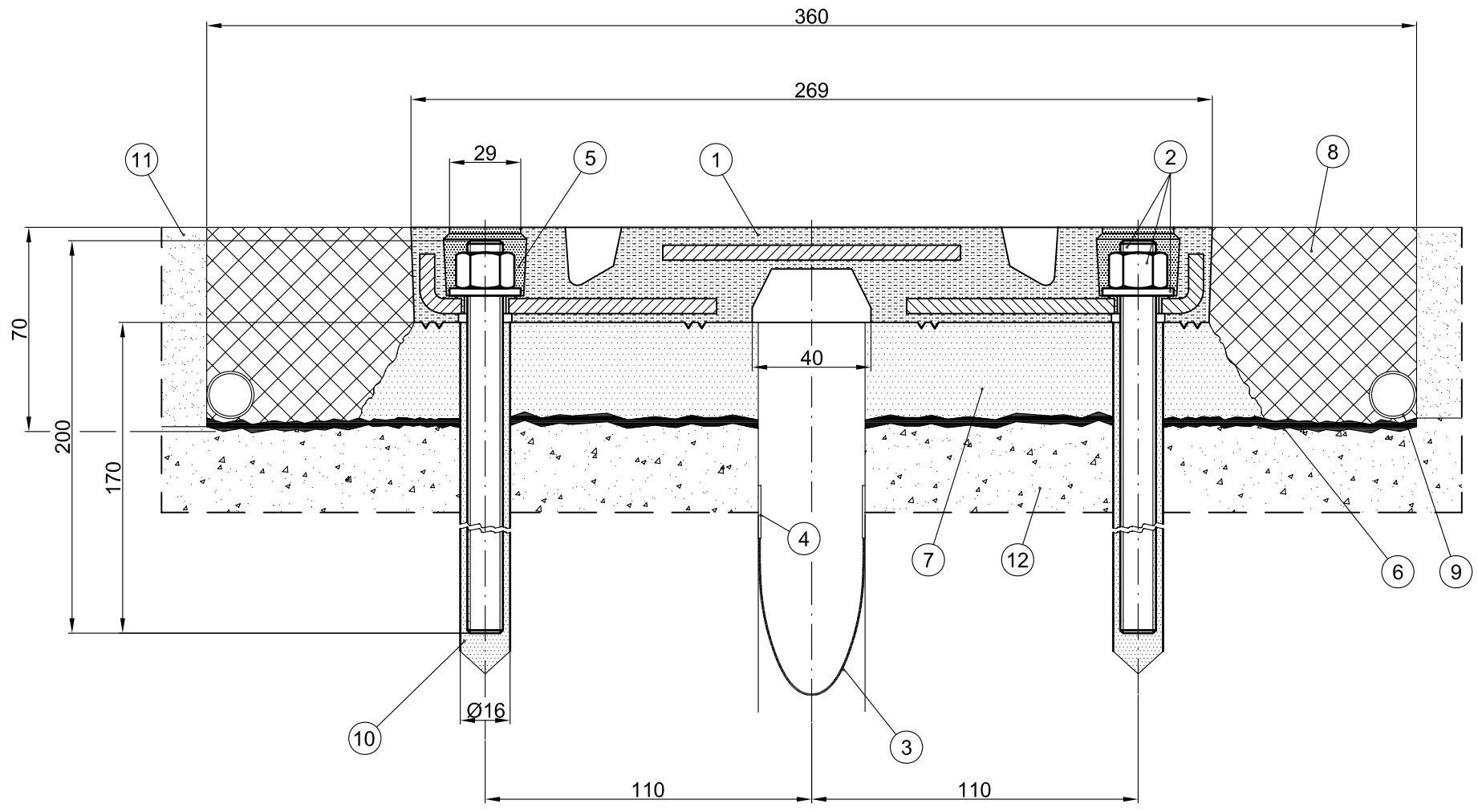
A-A  
ASSEMBLY DETAIL

B  
DETAIL

C  
DETAIL

Type	LONGITUDINAL Movement [mm]	Weight [Kg/pcs]
AGFLEXJ 30	±15	36

\*On Request The Joint Could Be Produced According To Different Standard And Different Compound



POS.	DESCRIPTION	NOTE	STANDARD	MATERIAL
12	Concrete	-	-	-
11	Asphalt	-	-	-
10	Anchor Bar Grouting	-	-	K KB EpoPrimer
9	Drain Pipe	-	(on request)	PVC øi16 øe22 mm
8	Transition Strip	-	(on request)	K KB A
7	Bedding Mortar	-	(on request)	K KB C
6	Two-Component Epoxide Primer	-	(on request)	K KB EpoPrimer
5	Bolt Hole Sealer	-	-	K SB SPC
4	Thixotropic Epoxide Bonding System	-	-	K KB EpoBond
3	Waterproof Strip	-	-	K IB 160
2	Anchor Bars + Washers + Nuts	M 12	EN 20898	Cl. 8.8 Zinc Plated Steel
1	Expansion Joint	-	CNR 10018*	Rubber 60 ShA + Steel

DATE	23/03/2010	OBJECT	Installation materials	REVISION	10
OBJECT <b>AGFLEXJ 30 JOINT</b> <b>"2T" INSTALLATION PROCEDURE</b>				DRAWN NOT IN SCALE	
DRAWN: DC CHECKED: MB APPROVED: RC				DWG N° <b>332</b>	
		AGOM INTERNATIONAL S. r. l. Via Mesero, 12 20010 Ossonova (MI)			